

FARMHOUSE 90 DOUBLE SINK RECTANGLE

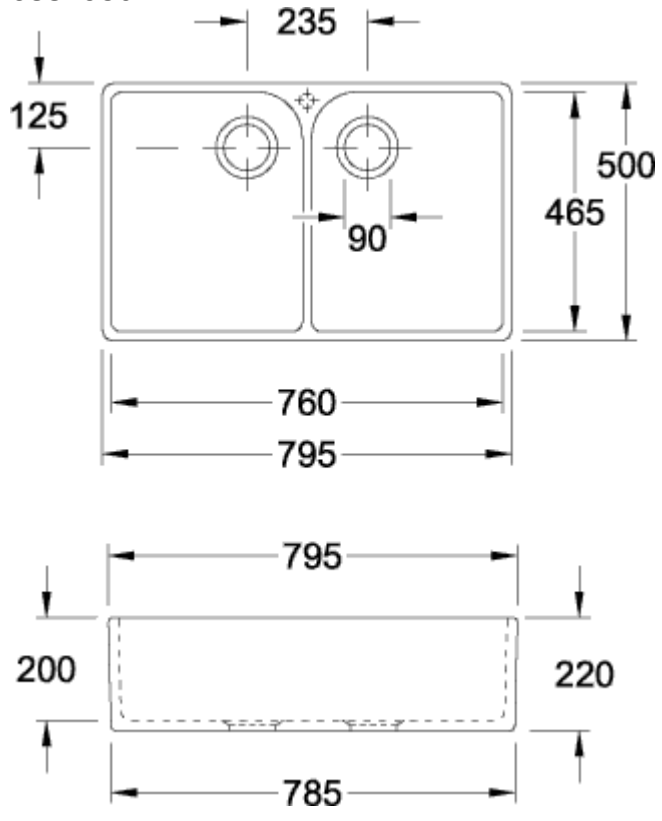
PRODUCT INFORMATION



| | |
|---------------------------|--|
| Article title | Villeroy & Boch Farmhouse 90 Double sink, included Outlet fitting hand-operated, of Ceramic, 220 x 895 mm, White Alpin |
| Article number | 63329501 |
| Scope of delivery | 1 x sink |
| Length in mm | 895 |
| Width in mm | 220 |
| Height in mm | 550 |
| Interior depth | 200 |
| Collection | Farmhouse 90 |
| Product designation | Double sink |
| Material | Ceramic |
| Other material | Grate: Stainless steel Valve: Stainless steel |
| Position of main bowl | Basin centred |
| Colour designation | White Alpin |
| Other colour designations | Grate: Chrome, Valve: Chrome |

TECHNICAL DRAWINGS

63329501



63329501

