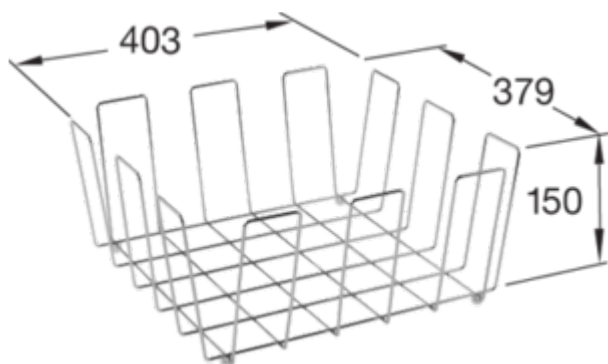


ACCESSORIES, ACCESSORIES FOR SINKS, KITCHEN ACCESSORIES, KITCHEN SINK ACCESSORIES ACCESSORIES

PRODUCT INFORMATION

. POSITION



Model	8K1200
Weight	0,83 kg
Description	Salad basket

COLOURS

Stainless steel	8K1200K1	4047289857303
-----------------	----------	---------------