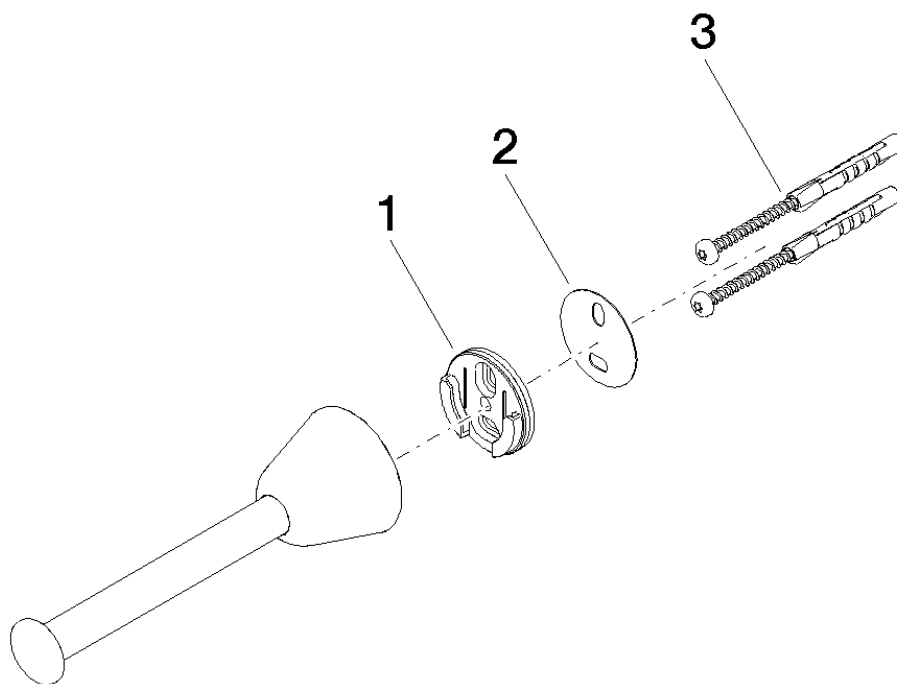


Domicil Reserve tissue holder

Article number: 83590900



Exploded assembly drawing



Domicil Reserve tissue holder

Article number: 83590900



Order quantity

No.	Article number	Name	Installation quantity
1	08179750107	holder	1
2	0530115190090	disc	1
3	0530310250090	fixing set	1