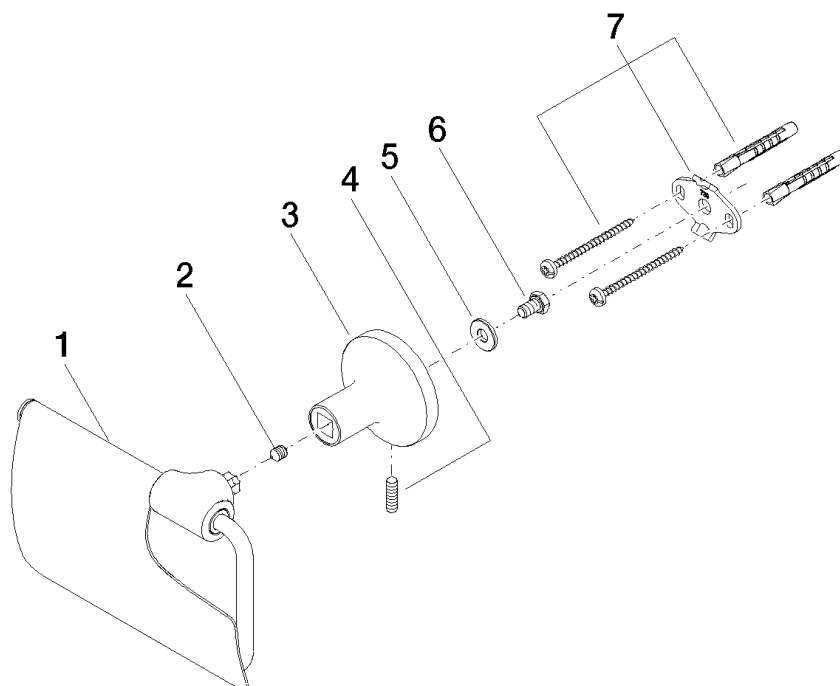


**Exploded assembly drawing**



## LaFleur Tissue holder with cover

Article number: 83510955



### Order quantity

No.	Article number	Name	Installation quantity
1	90184051601ff	bow	1
2	09311101490	pin	1
3	081795502ff	holder	1
4	09311111390	pin	1
5	08301155490	disc	1
6	09303004990	screw	1
7	0517207390090	fixing set	1