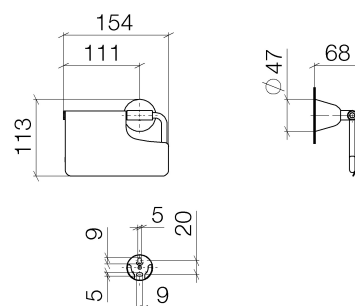




### Product specifications

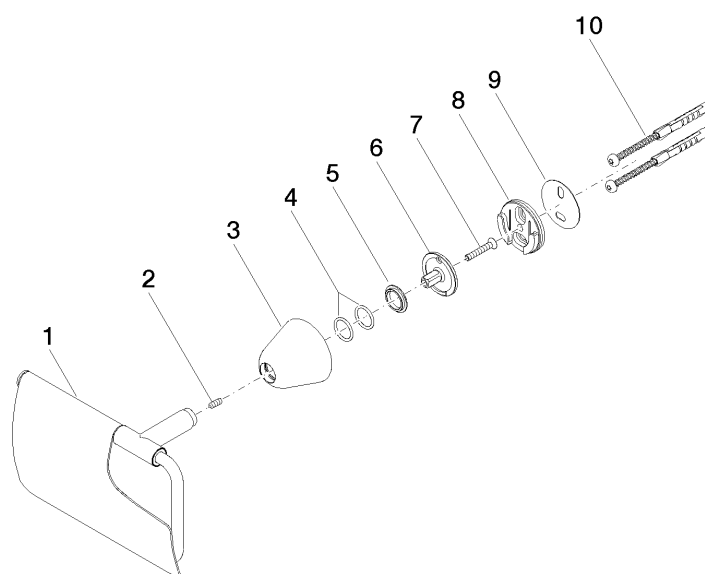
- width 155mm
- height 112 mm
- rosette Ø 47 mm
- 70 mm projection



### Surfaces

- |             |             |
|-------------|-------------|
| • chrome    | 83510900-00 |
| • champagne | 83510900-47 |

**Exploded assembly drawing**



Bath & Spa

**Domicil Tissue holder with cover**

Article number: 83510900



**Order quantity**

<b>No.</b>	<b>Article number</b>	<b>Name</b>	<b>Installation quantity</b>
------------	-----------------------	-------------	------------------------------