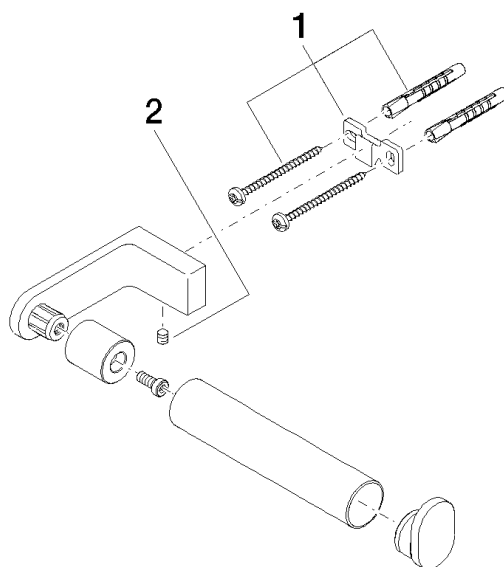


# Just Tissue holder without cover

Article number: 83500965



## Exploded assembly drawing



## Just Tissue holder without cover

Article number: 83500965



### Order quantity

No.	Article number	Name	Installation quantity
1	0517207580090	fixing set	1
2	09311100490	pin	1