



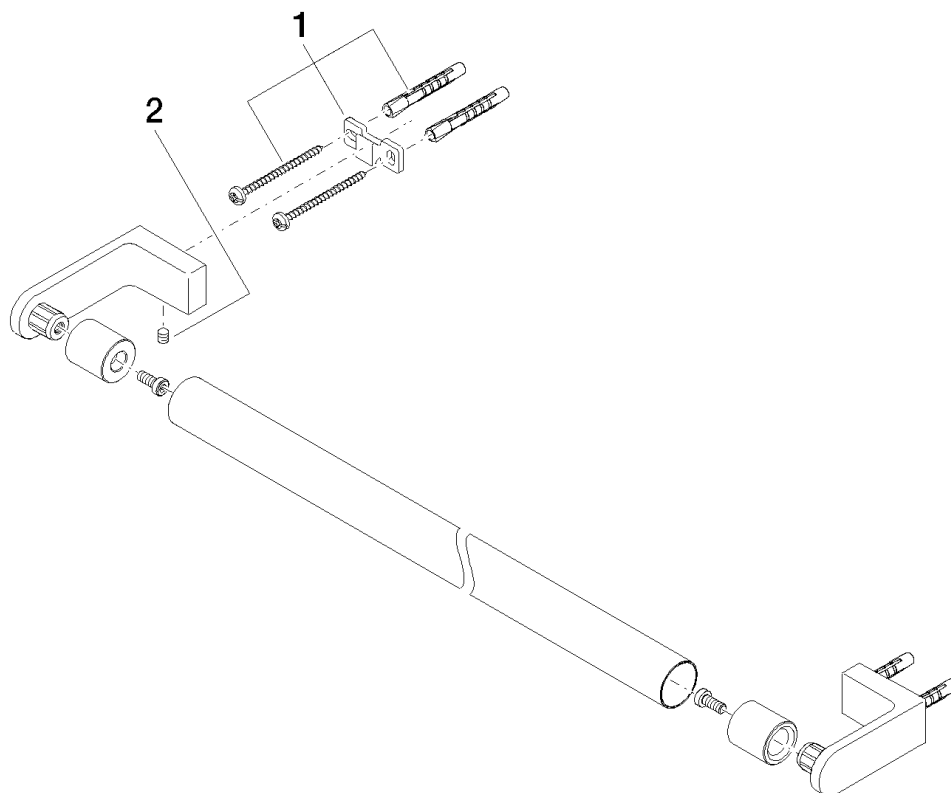
Product specifications

- gauge 900 mm
- width 945mm
- height 25 mm
- 73 mm projection

Surfaces

- chrome 83090965-00

Exploded assembly drawing





Order quantity

No.	Article number	Name	Installation quantity
------------	-----------------------	-------------	------------------------------