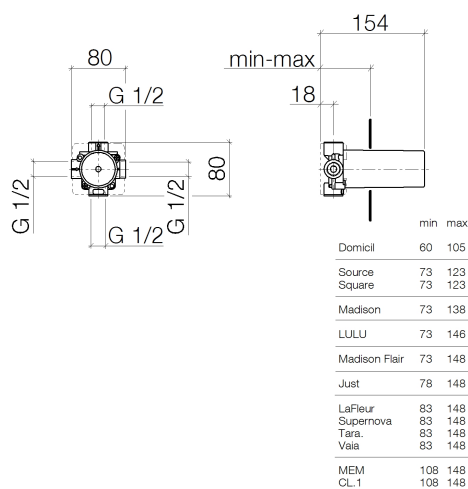




Product specifications

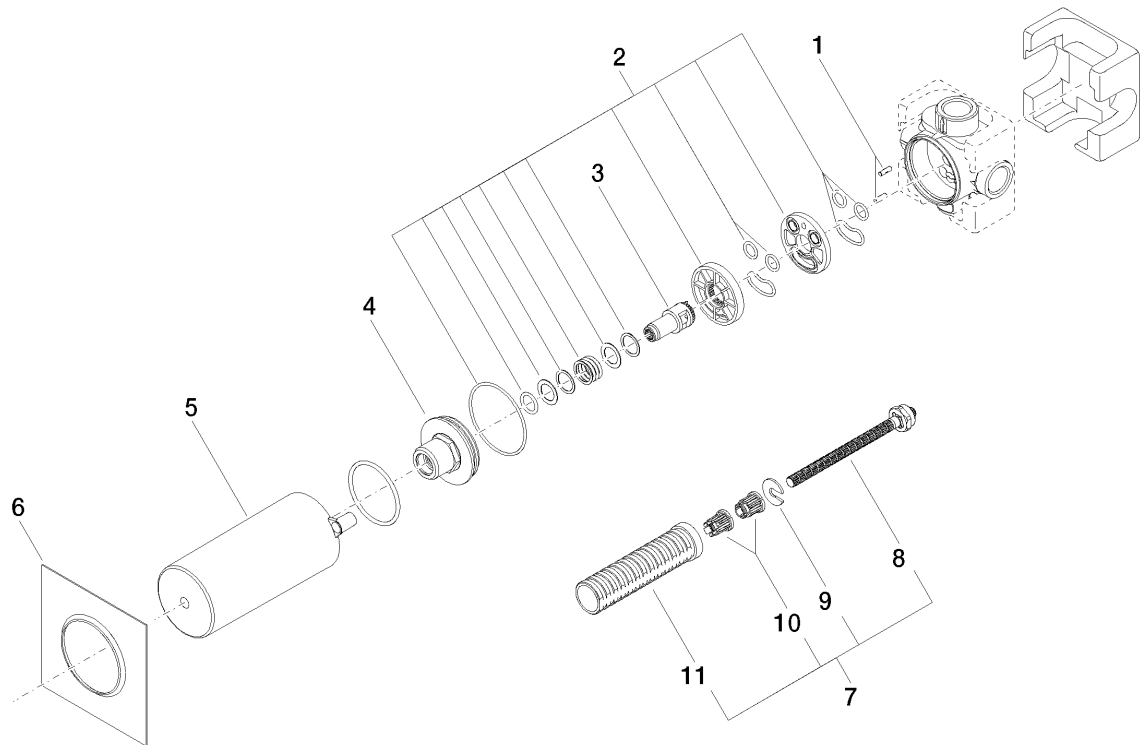
- min. recess depth 73 mm
- max. recess depth 146 mm



Surfaces

- 3512497090

Exploded assembly drawing



Order quantity

No.	Article number	Name	Installation quantity
1	09311115190	pin	1
2	9030110850090	set	1
3	09290602590	spindle	1
4	09210212490	lid	1
5	09210212590	cap	1
6	09140310990	seal	1
7	0418400770090	spindle	1
8	0429061050090	spindle	1
9	09160102690	ring	1
10	09121200290	fixing cap	1
11	09184007790	sleeve	1

Flow rate chart

