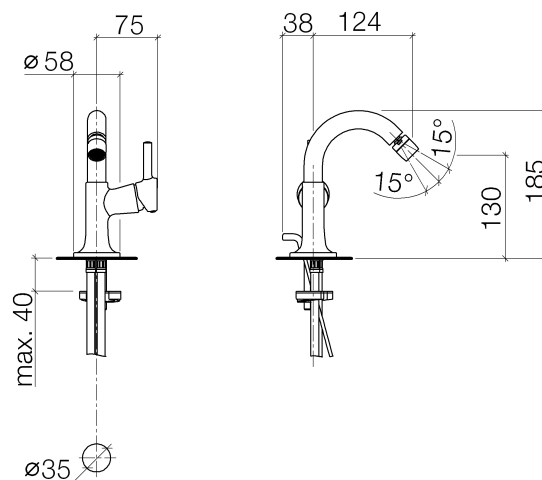




Product specifications

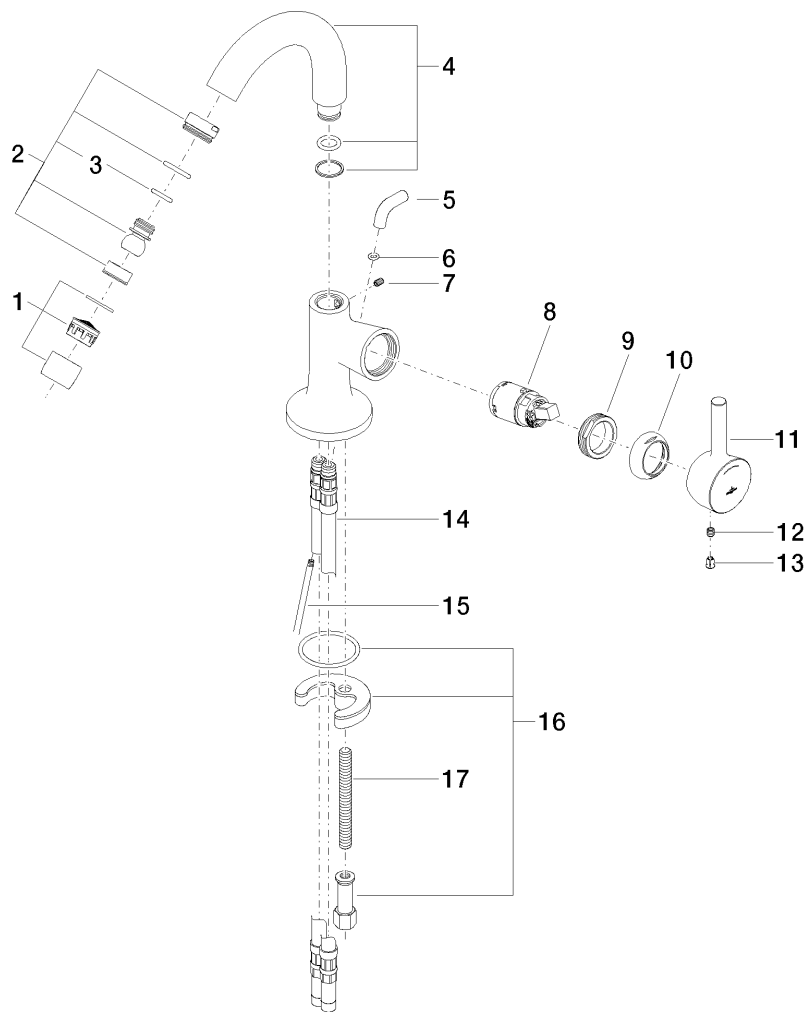
- **125 mm projection**
- ball-joint pivotable through 15°
- rectangular, air-enriched flow
- height of mixer 185 mm
- height up to aerator 130 mm
- hole diameter 35 mm
- 2x screw-in M 10 x 1 pressure hose, leak-tested
- max. flow 6.6 l/min



Surfaces

- chrome 33600955-00
- champagne 33600955-47

Exploded assembly drawing



18 ——— Ablaufgarnitur 04.11.01.001.00-FF

Bath & Spa

LaFleur Single-lever bidet mixer with pop-up waste

Article number: 33600955



Order quantity

No.	Article number	Name	Installation quantity
------------	-----------------------	-------------	------------------------------

Flow rate chart

