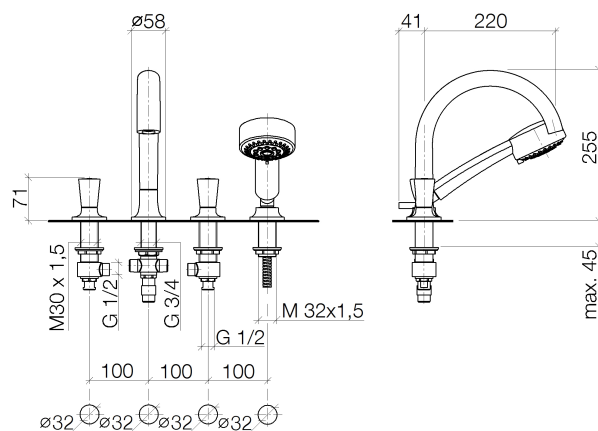




**Product specifications**

- **220 mm projection**
- complete hand shower set: normal flow
- spout: circular, air-enriched flow
- complete hand shower set with anti-scale system
- automatic bath/shower diverter
- height of mixer 255 mm
- height up to aerator 150 mm
- hole diameter spout 32 mm
- deck valve hole diameter 32mm
- hole diameter for complete hand shower set 32 mm
- rosette for spout Ø 58mm
- rosette for deck valve Ø 58mm
- rosette for complete hand shower set Ø 58mm
- metal shower hose 1750mm with integrated anti-twist protection
- max. spout flow rate 20 l/min
- max. flow for complete hand shower set 9 l/min

**Intrinsic protection against back flow.**

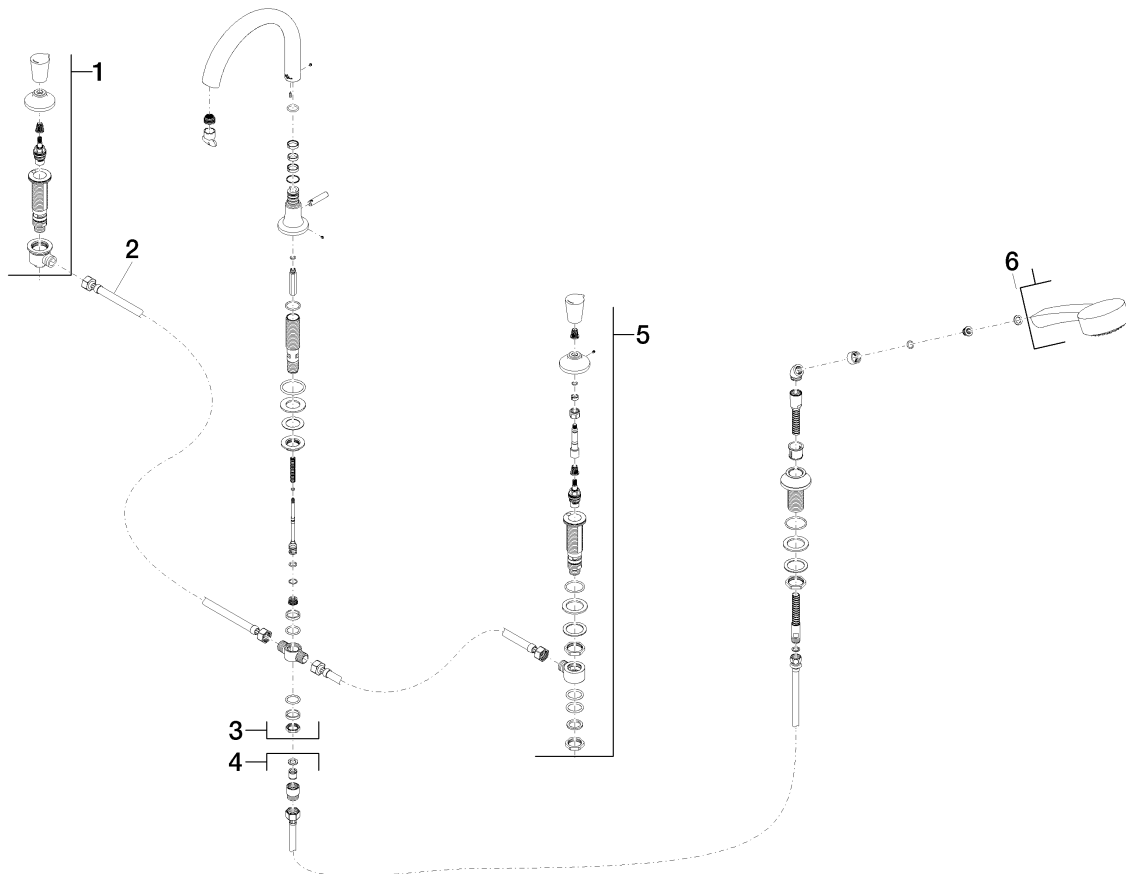




**Surfaces**

- chrome 27512955-00
- champagne 27512955-47

**Exploded assembly drawing**



Bath & Spa

**LaFleur Bath shower set for bath rim or tile edge installation**

Article number: 27512955



**Order quantity**

<b>No.</b>	<b>Article number</b>	<b>Name</b>	<b>Installation quantity</b>
------------	-----------------------	-------------	------------------------------

**Flow rate chart**

