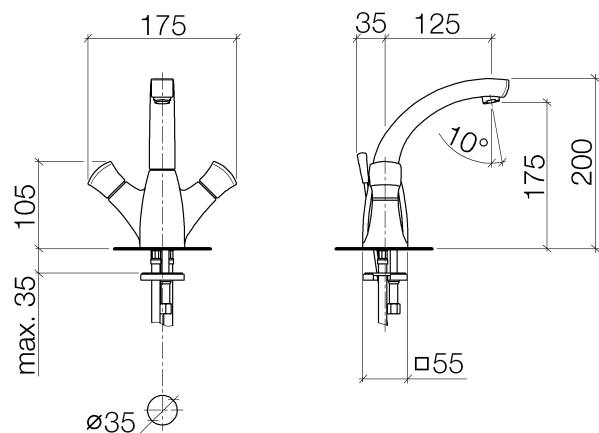




### Product specifications

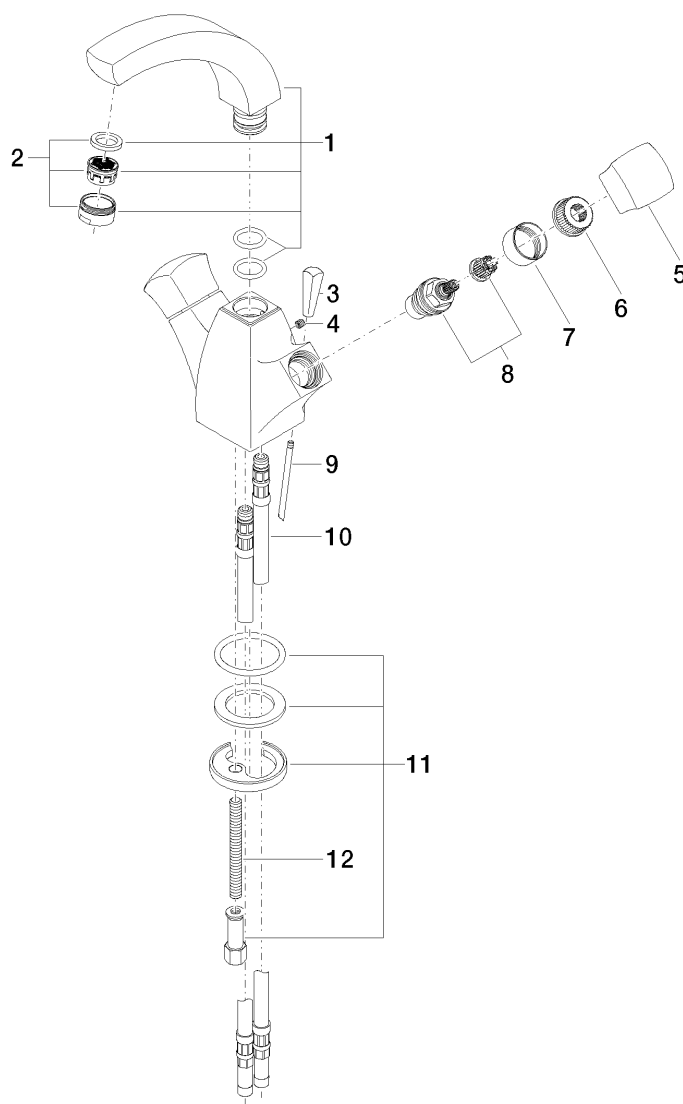
- **125 mm projection**
- fixed spout
- circular, air-enriched flow
- max. flow 7 l/min
- height of mixer 200 mm
- height up to aerator 175 mm
- hole diameter 35 mm
- 2x screw-in M 10 x 1 pressure hose, leak-tested
- lead-free



### Surfaces

- chrome 22510910-00

**Exploded assembly drawing**



13 ——— Ablaufgarnitur 04.11.01.001.00-ff

Bath & Spa

**SQUARE Single-hole basin mixer with pop-up waste**

Article number: 22510910



**Order quantity**

| <b>No.</b> | <b>Article number</b> | <b>Name</b> | <b>Installation quantity</b> |
|------------|-----------------------|-------------|------------------------------|
|------------|-----------------------|-------------|------------------------------|

**Flow rate chart**

